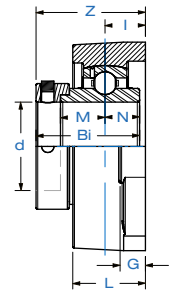
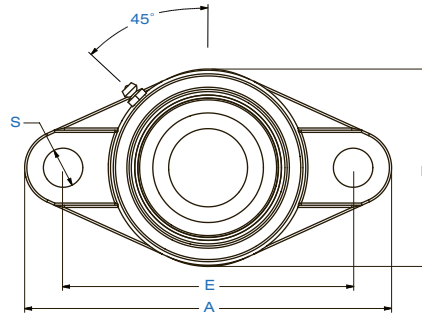


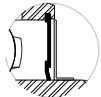


SNCSFTM 200

Normal-Duty 2-Bolt Flange Block
Eccentric Lock



Seal
Styles



Standard Seal
with Flinger



Triple-Lip
L3 Seal

Bearing Number	Shaft Dia.	Dimensions in. mm.										Bolt Used	Load Rating		Bearing Insert	Housing Number	Wt.		
	d in. mm.	A	E	I	G	L	S	B	Z	Bi	N		M	in. mm.				Dynamic Cr	Static Cor
SNCSFTM 201-8	1/2																SNC 201-8	SFTM 204	1.2 0.5
SNCSFTM 202-10	5/8	4.45	3.53	0.59	0.47	1.00	0.39	2.37	1.64	1.5472	0.5000	0.6732	5/16	2,331	1,142	SNC 202-10			
SNCSFTM 204-12	3/4	113.0	90.0	15.0	12.0	25.5	10.0	60.3	41.6	39.3	12.7	17.1	M8	10.37	5.08	SNC 204-12			
SNCSFTM 204	20															SNC 204			
SNCSFTM 205-14	7/8																SNC 205-14	SFTM 205	1.6 0.7
SNCSFTM 205-15	15/16	4.92	3.89	0.63	0.53	1.06	0.47	2.68	1.69	1.6220	0.5630	0.6850	3/8	2,542	1,349	SNC 205-15			
SNCSFTM 205	25	125.0	99.0	16.0	13.5	27.0	12.0	68.0	42.9	41.2	14.3	17.4	M10	11.31	6.00	SNC 205			
SNCSFTM 205-16	1															SNC 205-16			
SNCSFTM 206-17	1 1/16																SNC 206-17	SFTM 206	2.1 0.9
SNCSFTM 206-18	1 1/8	5.55	4.59	0.71	0.53	1.22	0.47	3.11	1.89	1.8110	0.6260	0.7165	3/8	3,554	1,942	SNC 206-18			
SNCSFTM 206	30	141.0	117.0	18.0	13.5	31.0	12.0	79.0	48.1	46.0	15.9	18.2	M10	15.81	8.64	SNC 206			
SNCSFTM 206-19	1 3/16															SNC 206-19			
SNCSFTM 206-20	1 1/4																SNC 206-20		
SNCSFTM 207-20	1 1/4																SNC 207-20	SFTM 207	3.1 1.4
SNCSFTM 207-21	1 5/16	6.14	5.13	0.75	0.61	1.34	0.51	3.50	2.02	1.9606	0.6890	0.7402	7/16	4,683	2,626	SNC 207-21			
SNCSFTM 207-22	1 3/8	156.0	130.0	19.0	15.5	34.0	13.0	89.0	51.3	49.8	17.5	18.8	M12	20.83	11.68	SNC 207-22			
SNCSFTM 207	35															SNC 207			
SNCSFTM 207-23	1 7/16																SNC 207-23		
SNCSFTM 208-24	1 1/2																SNC 208-24	SFTM 208	3.6 1.6
SNCSFTM 208-25	1 9/16	6.77	5.66	0.83	0.59	1.42	0.51	3.90	2.20	2.1220	0.7480	0.8425	7/16	5,294	3,057	SNC 208-25			
SNCSFTM 208	40	172.0	144.0	21.0	15.0	36.0	13.0	99.0	55.9	53.9	19.0	21.4	M12	23.55	13.60	SNC 208			
SNCSFTM 209-26	1 5/8																SNC 209-26		
SNCSFTM 209-27	1 11/16	7.05	5.84	0.87	0.56	1.52	0.59	4.21	2.24	2.1220	0.7480	0.8425	1/2	5,923	3,507	SNC 209-27	SFTM 209	4.0 1.8	
SNCSFTM 209-28	1 3/4	179.0	148.0	22.0	14.3	38.0	15.0	107.0	56.9	53.9	19.0	21.4	M14	26.35	15.60	SNC 209-28			
SNCSFTM 209	45															SNC 209			
SNCSFTM 210-30	1 7/8																		SNC 210-30
SNCSFTM 210-31	1 15/16	7.44	6.19	0.87	0.61	1.53	0.59	4.49	2.37	2.2480	0.7480	0.9685	1/2	6,402	4,046	SNC 210-31	SFTM 210	5.6 2.5	
SNCSFTM 210	50	189.0	157.0	22.0	15.5	38.5	15.0	114.0	60.1	57.1	19.0	24.6	M14	28.48	18.00	SNC 210			
SNCSFTM 210-32	2															SNC 210-32			
SNCSFTM 211-32	2																		SNC 211-32
SNCSFTM 211-34	2 1/8	8.54	7.25	0.98	0.75	1.73	0.71	5.24	2.70	2.5906	0.8740	1.0905	9/16	7,931	5,036	SNC 211-34	SFTM 211	6.9 3.1	
SNCSFTM 211	55	217.0	184.0	25.0	19.0	44.0	18.0	133.0	68.6	65.8	22.2	27.7	M16	35.28	22.40	SNC 211			
SNCSFTM 211-35	2 3/16																		SNC 211-35
SNCSFTM 212-36	2 1/4																		SNC 212-36
SNCSFTM 212	60	9.29	7.94	1.14	0.79	1.89	0.71	5.57	2.98	2.8430	1.0000	1.2170	9/16	9,554	5,921	SNC 212	SFTM 212	10.3 4.7	
SNCSFTM 212-38	2 3/8	236.0	202.0	29.0	20.0	48.0	18.0	141.5	75.8	72.2	25.4	30.9	M16	42.50	26.34	SNC 212-38			
SNCSFTM 212-39	2 7/16																		SNC 212-39

MARINER®